

Surname	Centre Number	Candidate Number
Other Names		0



GCSE – NEW

3300U40-1



MATHEMATICS
UNIT 2: CALCULATOR-ALLOWED
INTERMEDIATE TIER

TUESDAY, 20 JUNE 2017 – AFTERNOON

1 hour 45 minutes

ADDITIONAL MATERIALS

A calculator will be required for this paper.

A ruler, a protractor and a pair of compasses may be required.

INSTRUCTIONS TO CANDIDATES

Use black ink or black ball-point pen. Do not use gel pen or correction fluid.

You may use a pencil for graphs and diagrams only.

Write your name, centre number and candidate number in the spaces at the top of this page.

Answer **all** the questions in the spaces provided.

If you run out of space, use the continuation page at the back of the booklet, taking care to number the question(s) correctly.

Take π as 3.14 or use the π button on your calculator.

INFORMATION FOR CANDIDATES

You should give details of your method of solution when appropriate.

Unless stated, diagrams are not drawn to scale.

Scale drawing solutions will not be acceptable where you are asked to calculate.

The number of marks is given in brackets at the end of each question or part-question.

In question **10**, the assessment will take into account the quality of your linguistic and mathematical organisation, communication and accuracy in writing.

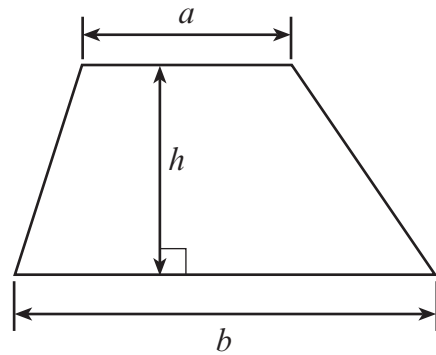
For Examiner's use only		
Question	Maximum Mark	Mark Awarded
1.	7	
2.	3	
3.	2	
4.	3	
5.	2	
6.	4	
7.	5	
8.	4	
9.	3	
10.	6	
11.	4	
12.	5	
13.	4	
14.	3	
15.	3	
16.	3	
17.	5	
18.	5	
19.	2	
20.	2	
21.	5	
Total	80	



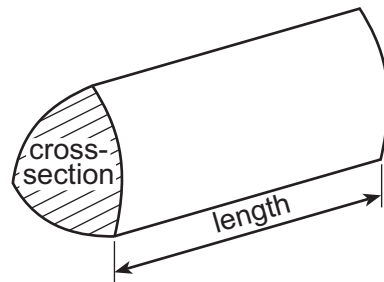
JUN173300U40101

Formula List – Intermediate Tier

Area of trapezium = $\frac{1}{2}(a + b)h$



Volume of prism = area of cross-section \times length



1. (a) Calculate 39% of £576.

[2]

.....

.....

.....

(b) Calculate $\frac{3}{7}$ of 100.

Give your answer correct to the nearest whole number.

[2]

.....

.....

.....

(c) How many quarters are there in 10?

[1]

.....

.....

(d) What **fraction** is equal to 50% of $\frac{1}{6}$?

[1]

.....

.....

(e) Circle the fraction that is a recurring decimal.

[1]

$$\frac{21}{35}$$

$$\frac{10}{12}$$

$$\frac{17}{68}$$

$$\frac{15}{24}$$

$$\frac{51}{170}$$

.....

.....

.....



2. Circle either TRUE or FALSE for each of the following statements.

[3]

A triangle with one angle equal to 70° could be an equilateral triangle.	TRUE	FALSE
A triangle with one angle equal to 70° could be an isosceles triangle.	TRUE	FALSE
A triangle with one angle equal to 70° could be a right-angled triangle.	TRUE	FALSE
An isosceles triangle could have one of its angles equal to 105° .	TRUE	FALSE
A right-angled triangle could have one of its angles equal to 105° .	TRUE	FALSE

.....

.....

.....

.....

.....

.....

3. Calculate the answer when,

'the largest prime number that is a factor of 28'
is multiplied by
'the smallest prime number that is factor of 15'.

[2]

.....

.....

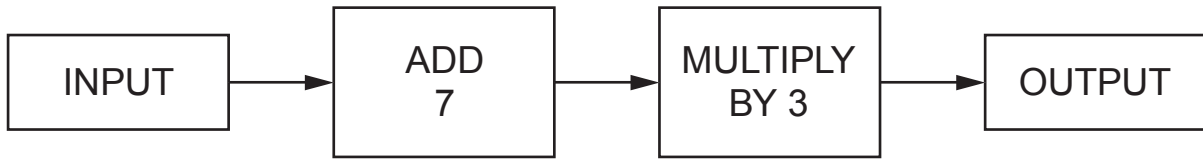
.....

.....

.....



4. The diagram below shows a number machine.



Using the number machine, calculate:

(a) the INPUT when the OUTPUT is 36, [1]

.....

.....

(b) the OUTPUT when the INPUT is n . [2]

.....

.....

5. Write down three integers, all less than 25, whose
 • range is 8, and
 • mean is 13. [2]

.....

.....

.....

.....

.....

The three integers are,, and



6. (a) Write down the first three terms of the sequence whose n th term is given by $2n - 5$. [2]

.....

.....

.....

.....

The first three terms are, and

- (b) Write down an expression for the n th term of the following sequence. [2]

7, 11, 15, 19, ...

.....

.....

.....



7. A dice is thrown 50 times.
The number shown on the dice is recorded after each throw.
The table below shows the results recorded.

Number shown on dice	1	2	3	4	5	6
Frequency	9	7	8	7	6	13

- (a) The relative frequency of throwing a 1 was calculated as $\frac{9}{50} = 0.18$.

What was the relative frequency of throwing a 6?
Give your answer as a decimal.

[1]

.....

.....

.....

- (b) The number 4 was thrown 7 times in the first 50 throws.
Using **this fact**, calculate how many times you would expect a 4 to be thrown when this dice is thrown 3000 times.

[2]

.....

.....

.....

- (c) How many times would you expect a 4 to be thrown when a **fair** dice is thrown 3000 times?

[2]

.....

.....

.....

.....

.....



8. $ABCDE$ is a regular pentagon with centre O .

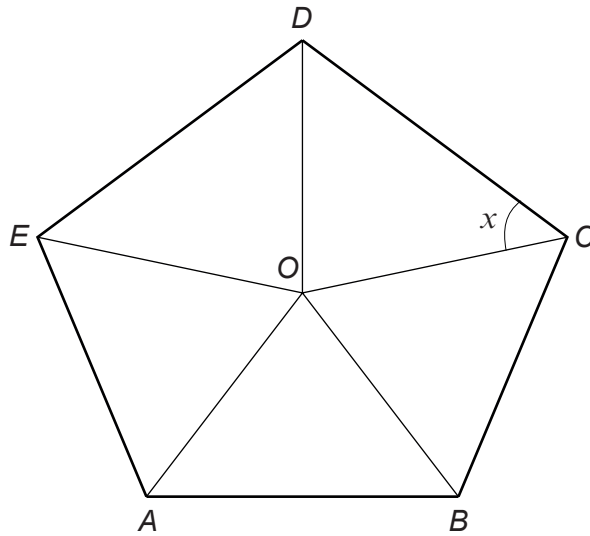


Diagram not drawn to scale

Calculate the size of angle x .
You must show all your working.

[4]

.....

.....

.....

.....

.....

.....

.....

.....

.....

.....

.....

.....

.....

.....

.....

.....

.....

.....

.....

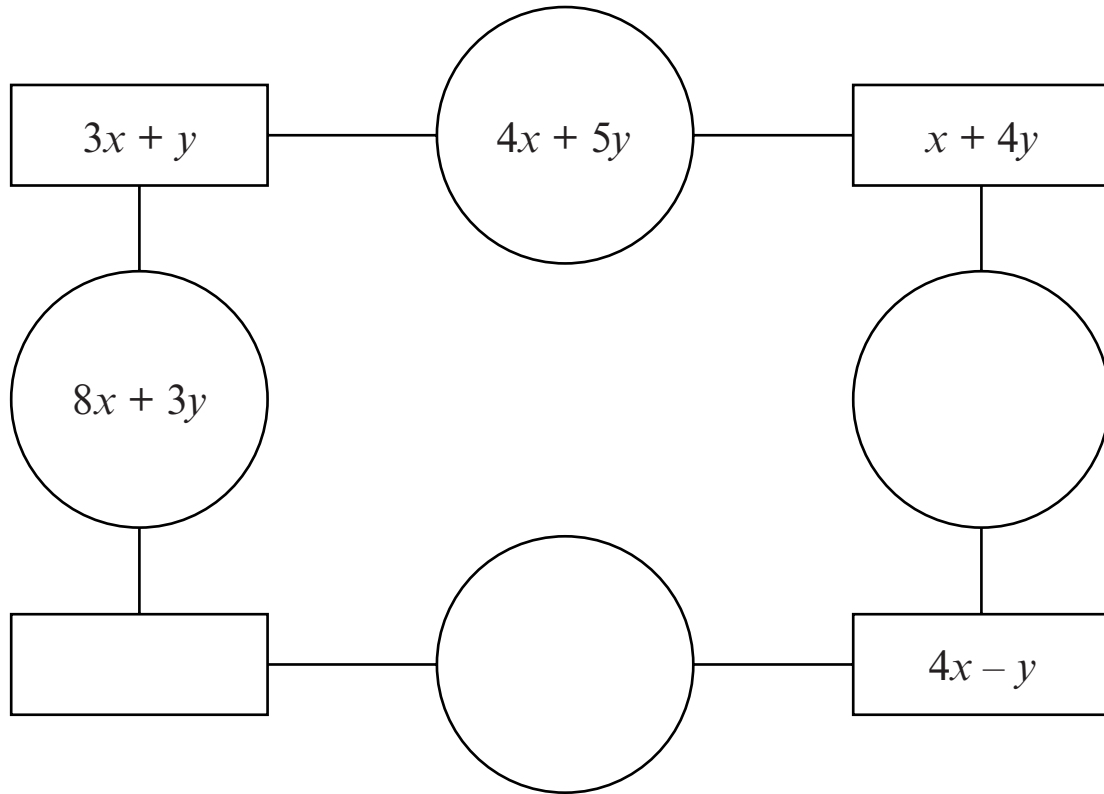
.....

.....

.....



9. Look at the diagram below.
 The expression in each circle is found by **adding** the expressions in the rectangles on either side of the circle.
 Complete the diagram by writing expressions in the blank circles and the blank rectangle.
 You must simplify your expressions. [3]



Working space:

.....

.....

.....

.....

.....

.....



10. In this question, you will be assessed on the quality of your organisation, communication and accuracy in writing.
ABCF is a rectangle.
CDEF is a trapezium.
BD is a straight line.

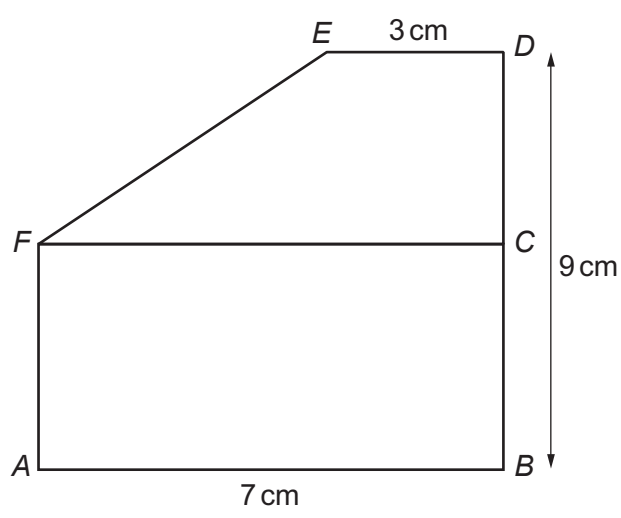


Diagram not drawn to scale

$AB = 7\text{ cm}$, $BD = 9\text{ cm}$ and $DE = 3\text{ cm}$.
The perimeter of rectangle *ABCF* is 24 cm.
Calculate the **area** of the trapezium *CDEF*.
You must show all your working.

[4 + 2 OCW]

.....

.....

.....

.....

.....

.....

.....

.....

.....

.....

.....

.....



11. (a) Calculate $\sqrt{8.5^3 + (4.5 - 0.76)^2}$, correct to 3 significant figures. [2]

.....

.....

- (b) Calculate the reciprocal of -0.07 , correct to 1 decimal place. [2]

.....

.....

.....

12. Show that the triangle below is **not** a right-angled triangle. [5]

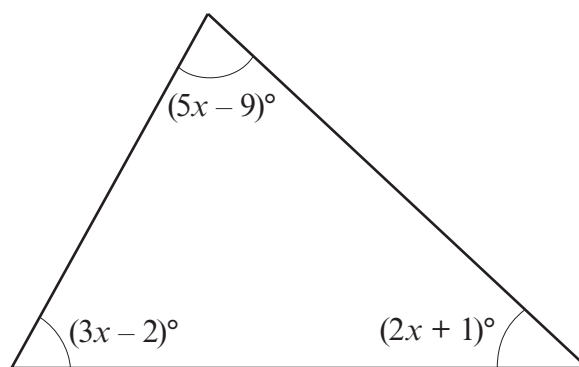


Diagram not drawn to scale

.....

.....

.....

.....

.....

.....

.....

.....

.....

.....



14. A right-angled triangle LMN is shown below.
 $LN = 16.9$ cm and $LM = 6.5$ cm.

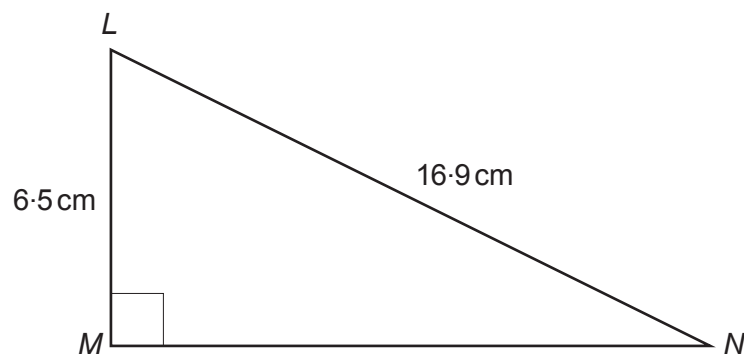


Diagram not drawn to scale

Calculate the length MN .

[3]

.....

.....

.....

.....

.....

.....

.....

.....

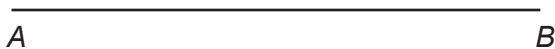
.....

.....



15. Construct an accurate drawing of triangle ABC , where $AB = 7$ cm, $\hat{A}BC = 90^\circ$ and $\hat{B}AC = 60^\circ$.
Use only a ruler and a pair of compasses.
The side AB has been drawn for you.
You must show your construction arcs.

[3]



A B



16. Calculate the length of the side QR in the triangle PQR shown below. [3]

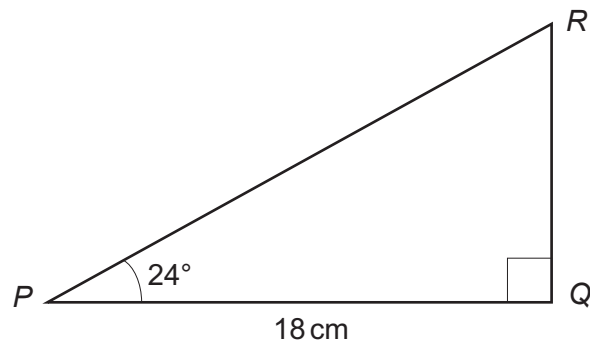


Diagram not drawn to scale

.....

.....

.....

.....

.....

.....

.....

.....

.....

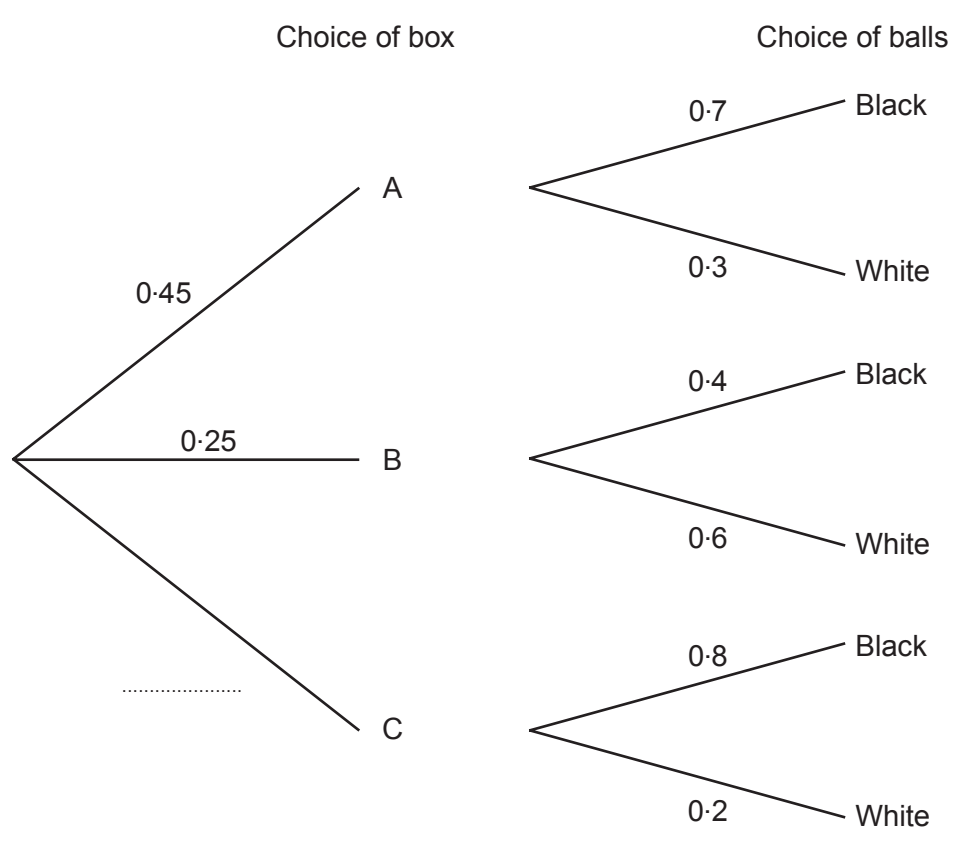
.....

.....



17. 100 boxes each contain 10 balls.
45 of the boxes are labelled A.
They each contain 7 black balls and 3 white balls.
25 of the boxes are labelled B.
They each contain 4 black balls and 6 white balls.
The rest of the boxes are labelled C.
They each contain 8 black balls and 2 white balls.
In a game, a player chooses a box at random, and then chooses a ball at random from that box.

(a) Complete the tree diagram shown below. [1]



(b) What is the probability that a player will select a black ball? [3]

.....

.....

.....

.....

.....

.....



- (c) If a large number of people played the game, approximately what fraction of them would you expect to choose a white ball?
Circle your answer. [1]

$\frac{1}{10}$

$\frac{1}{5}$

$\frac{1}{4}$

$\frac{1}{3}$

$\frac{1}{2}$

.....
.....

18. (a) Factorise $x^3 - 5x$. [1]

.....

- (b) Expand and simplify $(2x - 3)(x + 4)$. [2]

.....
.....
.....

- (c) Factorise $x^2 - 3x - 28$. [2]

.....
.....
.....



19. (a) Circle the equation of a straight line that is parallel to the line $3y = 2x + 6$. [1]

$3y = 2x + 7$ $2y = 3x + 6$ $3y = -2x + 6$ $-3y = 2x + 6$ $2y = -3x + 6$

.....

.....

- (b) Circle the equation of a straight line that is perpendicular to the line $y = 5x - 3$. [1]

$y = \frac{x}{5} + 3$ $y = 5x + 3$ $y = 5x + \frac{1}{3}$ $y = -5x + 3$ $y = \frac{-x}{5} + 3$

.....

20. Points A , B and C lie on the circumference of a circle, centre O .
 $\widehat{ACB} = 37^\circ$.

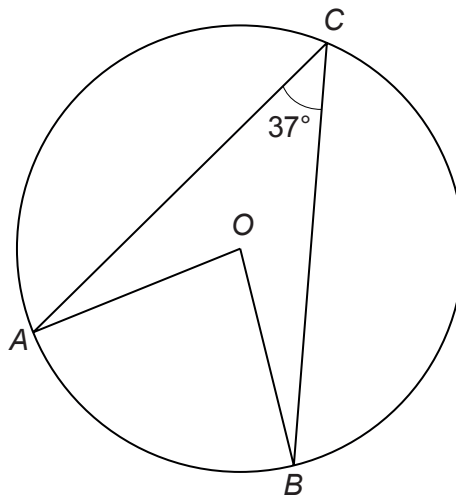


Diagram not drawn to scale

- Calculate the size of the **reflex** angle \widehat{AOB} . [2]

.....

.....

.....



